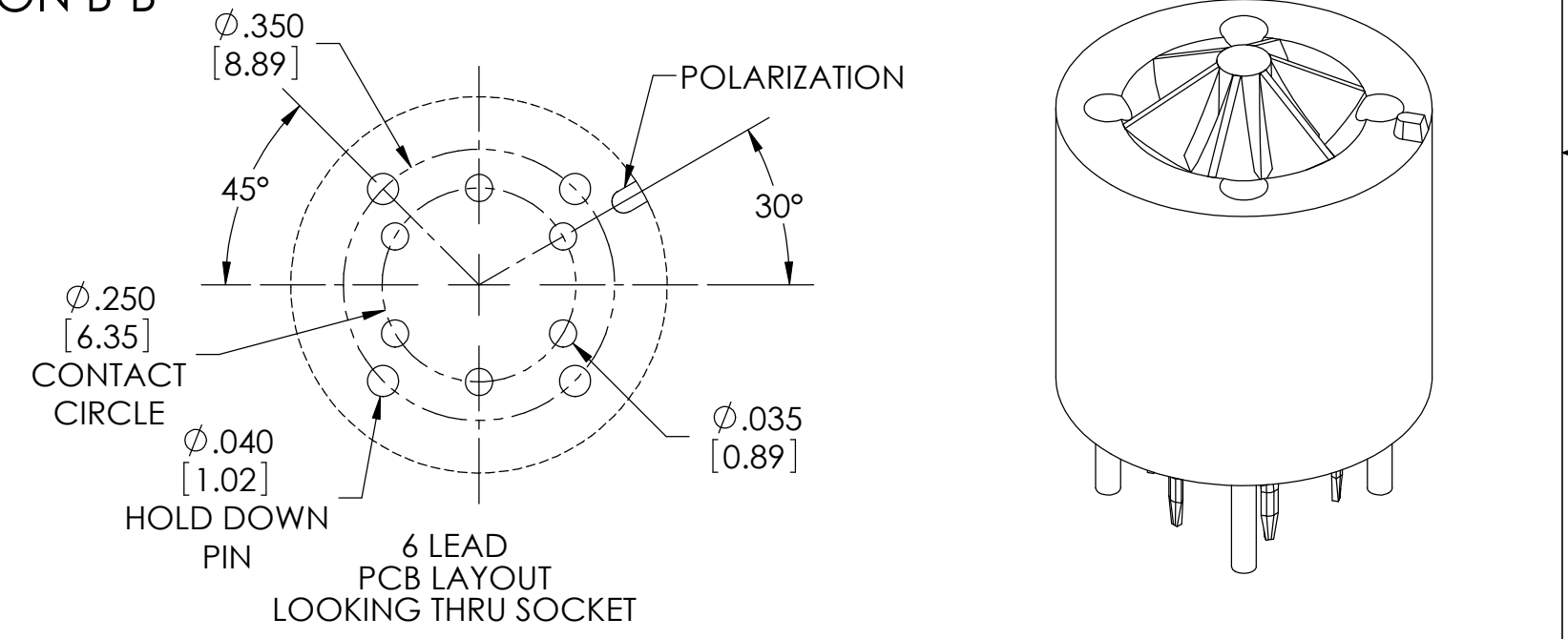
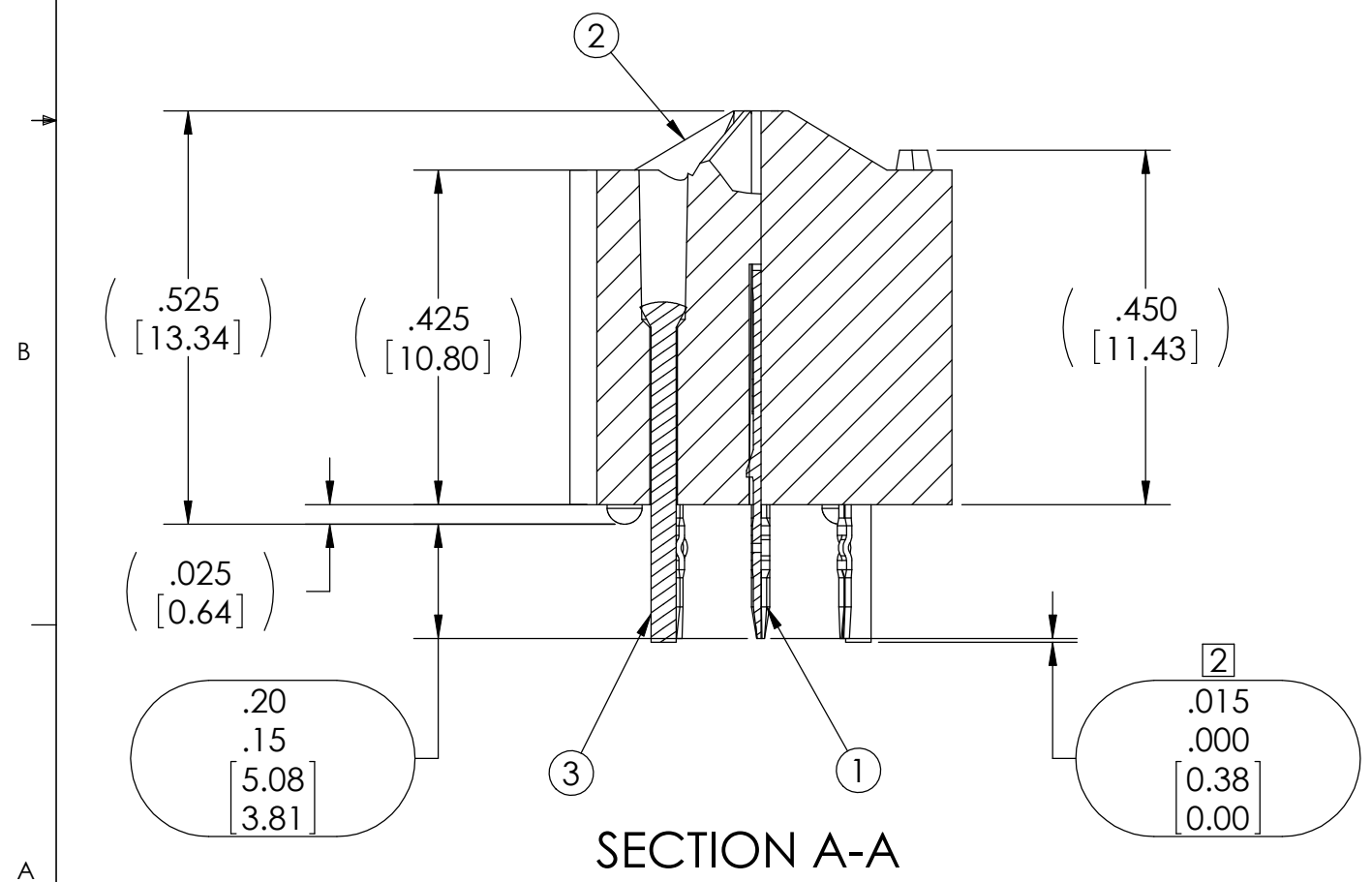
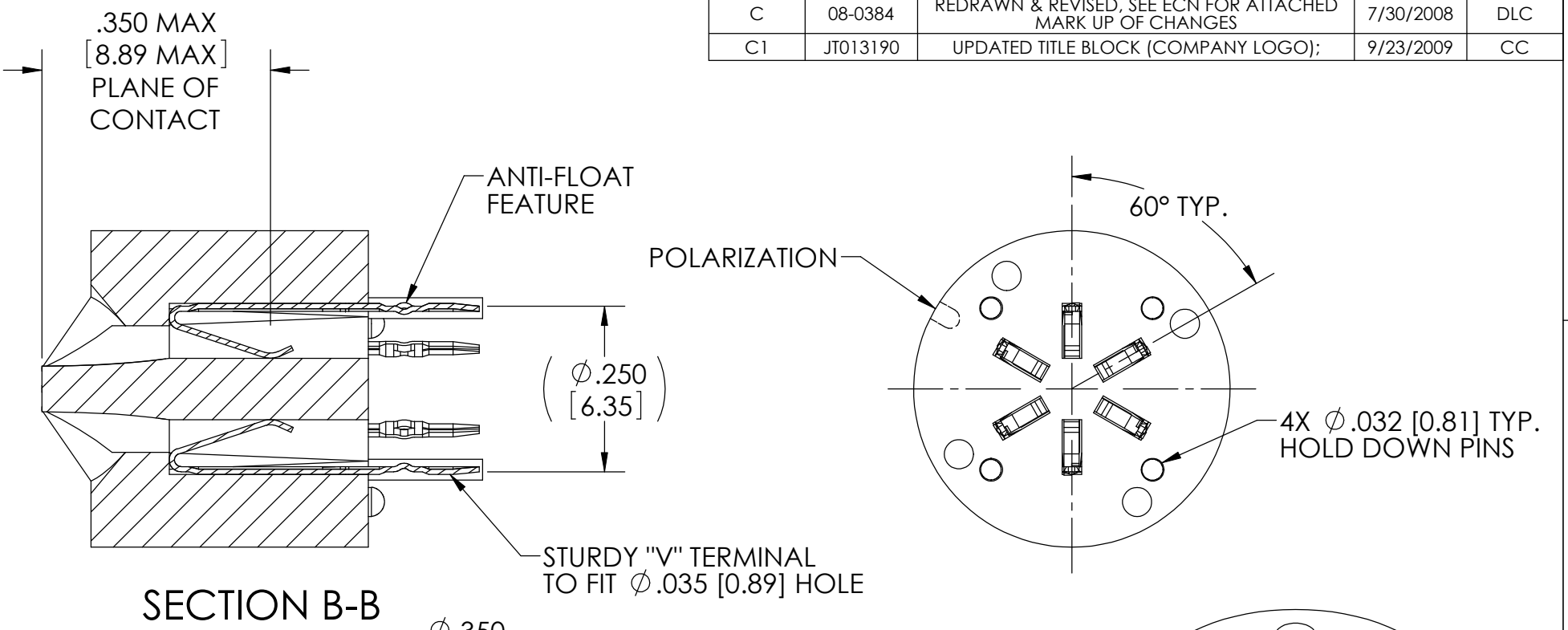
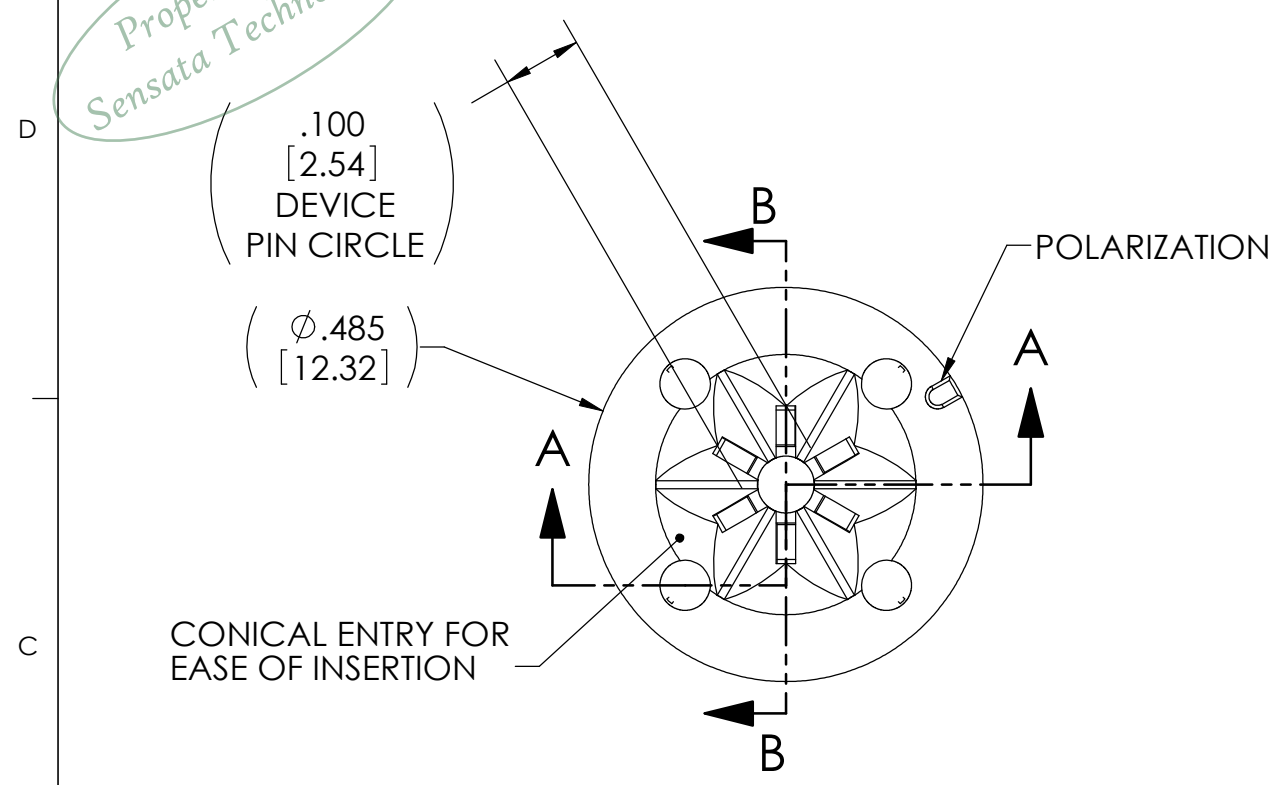


8 7 6 5 4 3 2 1

Property of
Sensata Technologies

REVISIONS				
REV	ECN	DESCRIPTION	DATE	BY
B1	-	REDRAW TO CORRECT DRAWING	10/3/2007	DS
C	08-0384	REDRAWN & REVISED, SEE ECN FOR ATTACHED MARK UP OF CHANGES	7/30/2008	DLC
C1	JT013190	UPDATED TITLE BLOCK (COMPANY LOGO);	9/23/2009	CC



ITEM NO.	QTY.	PART NUMBER	DESCRIPTION
3	4	072-018-001	HEADED LEAD
2	1	3048001	6 LEAD TO HOUSING
1	6	001-021-0XX	TO-SOCKET CONTACT

LEGEND		INTERPRET DRAWING IN ACCORDANCE WITH ASME Y14.5M-1994	MATERIAL		
	CRITICAL		FINISH		
2	TOTAL NO. OF USED	TOLERANCES	REFERENCE	DRAWN DS	DATE 8/11/03
PROJECTION		X.XX ± 0.01 X.XXX ± 0.003 X.XXXX ± 0.0005 ANGLE ± 1°	PROJECT / SERIES	CHECKED MSB	DATE 8/11/03
SIZE B	CONFIDENTIAL/PROPRIETARY THIS DOCUMENT CONTAINS PROPRIETARY INFORMATION OF WELLS-CTI. NOT TO BE USED, COPIED OR DISCLOSED WITHOUT PERMISSION. ALL RIGHTS RESERVED.		QUALITY	ENGINEER DS	DATE 8/11/03
			MFG. ENGR.	TITLE 6 LEAD TO SOCKET FOR .100" CENTERS	
			SCALE 4:1		UNITS:in [mm]
			DO NOT SCALE		SHEET 1 OF 1

2. HOLD DOWN PIN TO BE .000 TO .015 [0.38] LONGER THAN THE CONTACT.
 1. X = 1 FOR BeCu CONTACT, 5 FOR PFI CONTACT.
 NOTES, UNLESS OTHERWISE SPECIFIED:

8 7 6 5 4 3 2 1