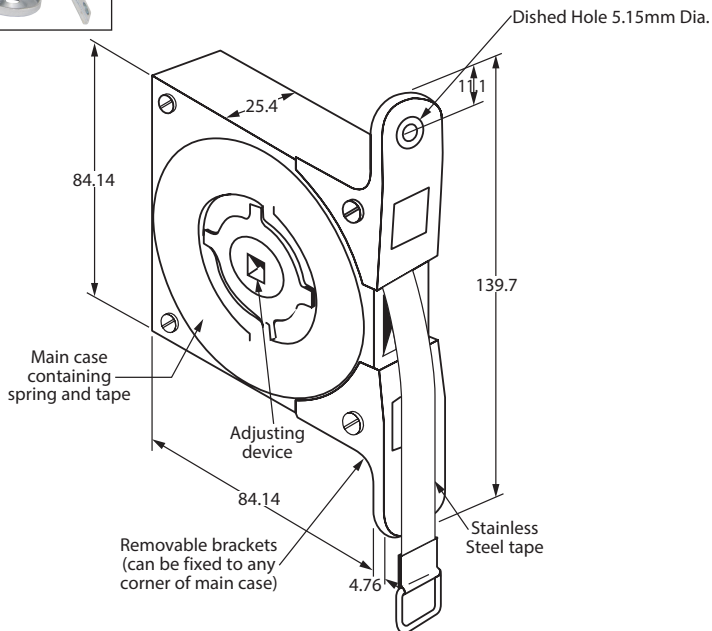


9SM

Adjustable Spring Balance



Discounts: 10+ -5% 25+ -10% 50+ -15% 100+ -20%

Part Number	Balancing Capacity (per pair) Kg	Bottom (1) Exit* Side (2) Exit*	Attachment W† Attachment X†	Direction LH RH PR	Price Each 1-9 LH or RH only (NOT per pair)
9SM19	3.6 - 5.9	1, 2	W, X	LH, RH, PR	£39.14
9SM20	4.5 - 7.3	1, 2	W, X	LH, RH, PR	£39.14
9SM21	5.9 - 8.6	1, 2	W, X	LH, RH, PR	£39.14
9SM22	7.3 - 10.0	1, 2	W, X	LH, RH, PR	£39.14
9SM23	8.6 - 11.3	1, 2	W, X	LH, RH, PR	£39.14
9SM24	10.0 - 12.2	1, 2	W, X	LH, RH, PR	£39.14
9SM25	11.3 - 13.6	1, 2	W, X	LH, RH, PR	£39.14
9SM27	1.8 - 3.6	1, 2	W, X	LH, RH, PR	£39.14
9SM28	2.7 - 4.5	1, 2	W, X	LH, RH, PR	£39.14

†See following pages for details of exits and attachments.

Material

Case: Mild Steel case galvanised with Stainless Steel tape.

Balancing Capacity

A range of 9 varying capacities from 1.8 to 13.6Kg per pair of balances can be obtained, as shown in above table.

Note: Bottom (1) Exit is supplied as standard with Type W Attachment.

Side (2) Exit is supplied as standard with Type X Attachment.

You may choose other attachments if you wish.



+44 (0)1246 455500



+44 (0)1246 455522

ondrives

<https://amironic.co.uk/>



sales@ondrives.com



www.ondrives.com