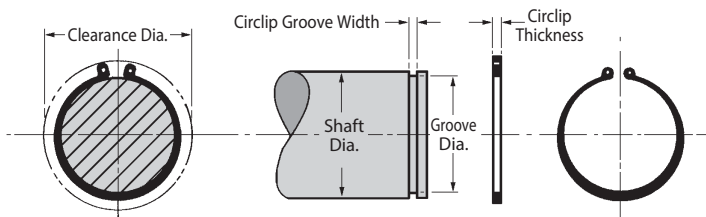


**CX
CX-S**

External Circlips

DIN 471 : 6 - 50mm



Discounts: 6+ -12% 20+ -25% 60+ -37% 100+ -42% 200+ -48% 500+ -55% 1000+ -65%

Part Number		Shaft Dia.	Circlip Thickness	Groove Dia.	Groove Width H13	Clearance Dia.	Price Each 1 - 5	
Steel	Stainless						Steel	Stainless
-	CX-4S	4	0.40 ^{+0.00} / _{-0.05}	3.8 h10	0.50	8.6	-	£0.43
-	CX-5S	5	0.60 ^{+0.00} / _{-0.05}	4.8 h10	0.70	10.3	-	£0.43
CX6	CX-6S	6	0.70 ^{+0.00} / _{-0.05}	5.7 h10	0.80	11.7	£0.18	£0.52
CX7	CX-7S	7	0.80 ^{+0.00} / _{-0.05}	6.7 h10	0.90	13.5	£0.18	£0.52
CX8	CX-8S	8	0.80 ^{+0.00} / _{-0.05}	7.6 h10	0.90	14.7	£0.18	£0.52
CX9	CX-9S	9	1.00 ^{+0.00} / _{-0.06}	8.6 h10	1.10	16.0	£0.22	£0.89
CX10	CX-10S	10	1.00 ^{+0.00} / _{-0.06}	9.6 h10	1.10	17.0	£0.34	£1.39
CX11	-	11	1.00 ^{+0.00} / _{-0.06}	10.5 h11	1.10	18.0	£0.42	-
CX12	CX-12S	12	1.00 ^{+0.00} / _{-0.06}	11.5 h11	1.10	19.0	£0.43	£1.39
CX13	-	13	1.00 ^{+0.00} / _{-0.06}	12.4 h11	1.10	20.2	£0.45	-
CX14	CX-14S	14	1.00 ^{+0.00} / _{-0.06}	13.4 h11	1.10	21.4	£0.52	£1.44
CX15	CX-15S	15	1.00 ^{+0.00} / _{-0.06}	14.3 h11	1.10	22.6	£0.26	£1.51
CX16	CX-16S	16	1.00 ^{+0.00} / _{-0.06}	15.2 h11	1.10	23.8	£0.33	£1.57
CX17	CX-17S	17	1.00 ^{+0.00} / _{-0.06}	16.2 h11	1.10	25.0	£0.34	£1.60
CX18	CX-18S	18	1.20 ^{+0.00} / _{-0.06}	17.0 h11	1.30	26.2	£0.48	£1.66
CX19	-	19	1.20 ^{+0.00} / _{-0.06}	18.0 h11	1.30	27.2	£0.52	-
CX20	CX-20S	20	1.20 ^{+0.00} / _{-0.06}	19.0 h11	1.30	28.4	£0.56	£1.66
CX22	CX-22S	22	1.20 ^{+0.00} / _{-0.06}	21.0 h11	1.30	30.8	£0.59	£2.32
CX24	CX-24S	24	1.20 ^{+0.00} / _{-0.06}	22.9 h12	1.30	33.2	£0.71	£2.37
CX25	CX-25S	25	1.20 ^{+0.00} / _{-0.06}	23.9 h12	1.30	34.2	£0.73	£2.86
CX26	CX-26S	26	1.20 ^{+0.00} / _{-0.06}	24.9 h12	1.30	35.5	£0.87	£2.86
CX28	-	28	1.50 ^{+0.00} / _{-0.06}	26.6 h12	1.60	37.9	£1.07	-
CX30	-	30	1.50 ^{+0.00} / _{-0.06}	28.6 h12	1.60	40.5	£1.28	-
CX32	-	32	1.50 ^{+0.00} / _{-0.06}	30.3 h12	1.60	43.0	£1.23	-
CX35	-	35	1.50 ^{+0.00} / _{-0.06}	33.0 h12	1.60	46.8	£1.45	-
CX38	-	38	1.75 ^{+0.00} / _{-0.06}	36.0 h12	1.85	50.2	£1.71	-
CX40	-	40	1.75 ^{+0.00} / _{-0.06}	37.5 h12	1.85	52.6	£2.21	-
CX45	-	45	1.75 ^{+0.00} / _{-0.06}	42.5 h12	1.85	59.1	£2.71	-
CX50	-	50	2.00 ^{+0.00} / _{-0.07}	47.0 h12	2.15	64.5	£3.20	-
CX55	-	55	2.00 ^{+0.00} / _{-0.07}	52.0 h12	2.15	70.2	£3.82	-

Material

CX: Carbon Spring Steel (SAE 1060-1090).

CX-S: Stainless Steel, Wr. 1.4122 (X39CrMo17-1).

Other Info.

Other sizes available on request, P.O.A.

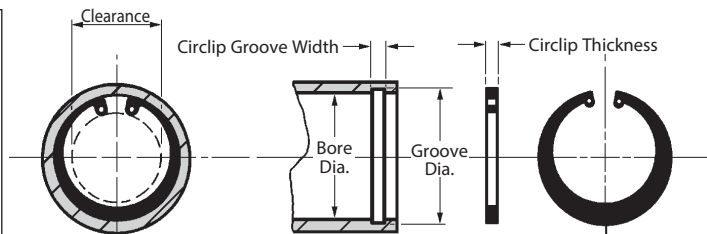
+44 (0)1246 455500
+44 (0)1246 455522

ondrives
<https://amironic.co.il/>

sales@ondrives.com
www.ondrives.com

Internal Circlips

DIN 472 : 13 - 90mm



Discounts: 6+ -12% 20+ -25% 60+ -37% 100+ -42% 200+ -48% 500+ -55% 1000+ -65%

Part Number	Bore Dia.	Circlip Thickness	Groove Dia.	Groove Width H13	Clearance Dia.	Price Each 1 - 5	Steel	Stainless
- CY-10S	10	1.00 ^{+0.00} / _{-0.06}	10.4 H11	1.10	3.3	-	-	£1.21
CY11	11	1.00 ^{+0.00} / _{-0.06}	11.4 H11	1.10	4.1	£0.27	-	£1.21
- CY-12S	12	1.00 ^{+0.00} / _{-0.06}	12.5 H11	1.10	4.9	-	-	£1.31
CY13	13	1.00 ^{+0.00} / _{-0.06}	13.6 H11	1.10	5.4	£0.27	-	£1.31
CY14	14	1.00 ^{+0.00} / _{-0.06}	14.6 H11	1.10	6.2	£0.28	-	£1.31
CY15	15	1.00 ^{+0.00} / _{-0.06}	15.7 H11	1.10	7.2	£0.40	-	£1.51
CY16	16	1.00 ^{+0.00} / _{-0.06}	16.8 H11	1.10	8.0	£0.32	-	£1.58
CY17	17	1.00 ^{+0.00} / _{-0.06}	17.8 H11	1.10	8.8	£0.33	-	-
CY18	18	1.00 ^{+0.00} / _{-0.06}	19.0 H11	1.10	9.4	£0.33	-	£1.66
CY19	19	1.00 ^{+0.00} / _{-0.06}	20.0 H11	1.10	10.4	£0.37	-	£1.66
CY20	20	1.00 ^{+0.00} / _{-0.06}	21.0 H11	1.10	11.2	£0.38	-	£1.84
CY22	22	1.00 ^{+0.00} / _{-0.06}	23.0 H11	1.10	13.2	£0.40	-	£2.07
CY24	24	1.20 ^{+0.00} / _{-0.06}	25.2 H12	1.30	14.8	£0.79	-	-
CY25	25	1.20 ^{+0.00} / _{-0.06}	26.2 H12	1.30	15.5	£0.45	-	-
CY26	26	1.20 ^{+0.00} / _{-0.06}	27.2 H12	1.30	16.1	£0.88	-	£5.78
CY28	28	1.20 ^{+0.00} / _{-0.06}	29.4 H12	1.30	17.9	£0.77	-	-
CY30	30	1.20 ^{+0.00} / _{-0.06}	31.4 H12	1.30	19.9	£0.79	-	£3.31
CY32	32	1.20 ^{+0.00} / _{-0.06}	33.7 H12	1.30	20.6	£1.03	-	£3.53
CY35	35	1.50 ^{+0.00} / _{-0.06}	37.0 H12	1.60	23.6	£1.37	-	£5.28
CY37	37	1.50 ^{+0.00} / _{-0.06}	39.0 H12	1.60	25.4	£1.70	-	-
CY38	38	1.50 ^{+0.00} / _{-0.06}	40.0 H12	1.60	26.4	£2.04	-	-
CY40	40	1.75 ^{+0.00} / _{-0.06}	42.5 H12	1.85	27.8	£2.21	-	-
CY42	42	1.75 ^{+0.00} / _{-0.06}	44.5 H12	1.85	29.6	£2.21	-	-
CY45	45	1.75 ^{+0.00} / _{-0.06}	47.5 H12	1.85	32.0	£2.14	-	£6.32
CY47	47	1.75 ^{+0.00} / _{-0.06}	49.5 H12	1.85	33.5	£2.48	-	£7.00
CY50	50	2.00 ^{+0.00} / _{-0.07}	53.0 H12	2.15	36.3	£2.86	-	-
CY52	52	2.00 ^{+0.00} / _{-0.07}	55.0 H12	2.15	37.9	£3.05	-	-
CY55	55	2.00 ^{+0.00} / _{-0.07}	58.0 H12	2.15	40.7	£3.68	-	-
CY62	62	2.00 ^{+0.00} / _{-0.07}	65.0 H12	2.15	46.7	£4.28	-	£7.17
CY68	68	2.50 ^{+0.00} / _{-0.07}	71.0 H12	2.65	51.6	£4.88	-	-
CY75	75	2.50 ^{+0.00} / _{-0.07}	78.0 H12	2.65	58.6	£6.46	-	-
CY80	80	2.50 ^{+0.00} / _{-0.07}	83.5 H12	2.65	62.1	£8.05	-	-
CY90	90	3.00 ^{+0.00} / _{-0.08}	93.5 H12	3.15	71.9	£9.61	-	-

Material

CY: Carbon Spring Steel (SAE 1060-1090).

CY-S: Stainless Steel, Wr. 1.4122 (X39CrMo17-1).

Other Info.

Other sizes available on request, P.O.A.



+44 (0)1246 455500



+44 (0)1246 455522

ondrives

<https://amironic.co.uk/>



sales@ondrives.com

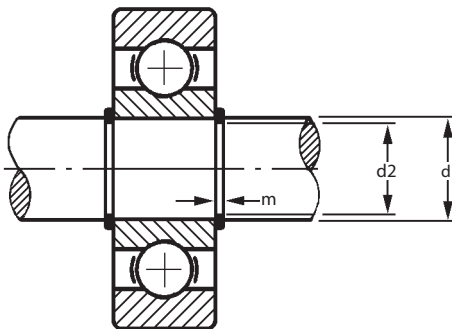
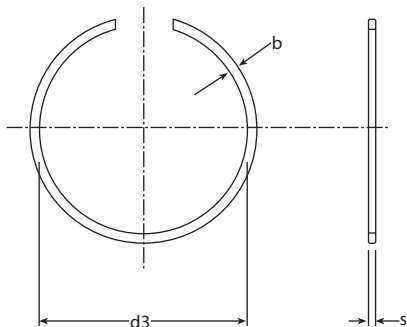


www.ondrives.com

WSR

Shaft Circlip - Stainless

Precision Miniature Shaft External Circlip : 3 - 10mm



Discounts: 6+ -5% 20+ -10% 40+ -15% 60+ -20% 100+ -30%

Part Number	Shaft Dia. d	Max. d3	Circlip b ± 0.10	$s \pm 0.02$	Groove d2 $^{+0.00}_{-0.05}$	$m^{+0.03}_{-0.00}$	Price Each 1 - 5
WSR3	3	2.60	0.50	0.30	2.70	0.33	£2.42
WSR4	4	3.60	0.50	0.30	3.70	0.33	£2.42
WSR5	5	4.50	0.70	0.40	4.60	0.44	£2.42
WSR6	6	5.45	0.70	0.40	5.60	0.44	£2.42
WSR7	7	6.45	0.70	0.40	6.60	0.44	£2.76
WSR8	8	7.35	0.90	0.50	7.50	0.55	£2.76
WSR9	9	8.30	0.90	0.50	8.50	0.55	£2.76
WSR10	10	9.25	0.90	0.50	9.50	0.55	£2.76

Material

301 Stainless Steel (Wr. 1.4310).



+44 (0)1246 455500



+44 (0)1246 455522

ondrives

<https://amironic.co.il/>

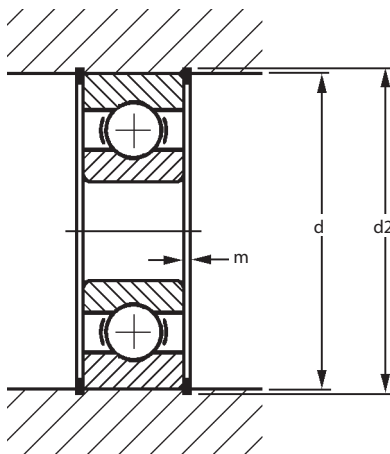
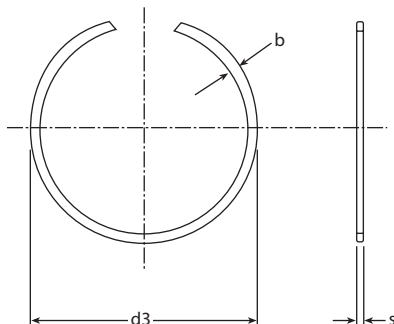
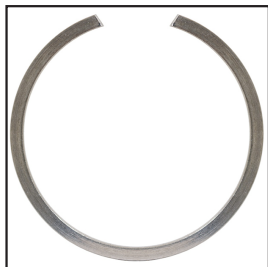


sales@ondrives.com

www.ondrives.com

Bore Circlip - Stainless

Precision Miniature Bore Internal Circlip : 4 - 19mm



Discounts: 6+ -5% 20+ -10% 40+ -15% 60+ -20% 100+ -30%

Part Number	Bore Dia. d	Max. d3	Circlip b ^{±0.10}	s ^{±0.02}	d2 ^{-0.00/+0.05}	Groove		Price Each 1 - 5
						m ^{-0.00/+0.03}		
IBSR4	4	4.40	0.50	0.30	4.30	0.33		£2.16
IBSR5	5	5.45	0.50	0.30	5.30	0.33		£2.16
IBSR6	6	6.45	0.50	0.30	6.30	0.33		£2.16
IBSR7	7	7.50	0.50	0.30	7.30	0.33		£2.44
IBSR8	8	8.60	0.70	0.40	8.40	0.44		£2.76
IBSR9	9	9.60	0.70	0.40	9.40	0.44		£2.76
IBSR10	10	10.65	0.70	0.40	10.40	0.44		£2.76
IBSR11	11	11.65	0.70	0.40	11.40	0.44		£2.76
IBSR12	12	12.75	0.90	0.50	12.50	0.55		£2.76
IBSR13	13	13.75	0.90	0.50	13.50	0.55		£2.76
IBSR14	14	14.80	0.90	0.50	14.50	0.55		£3.36
IBSR15	15	15.80	0.90	0.50	15.50	0.55		£3.36
IBSR16	16	16.85	0.90	0.50	16.50	0.55		£3.36
IBSR17	17	17.85	0.90	0.50	17.50	0.55		£3.35
IBSR19	19	20.00	1.10	0.60	19.60	0.66		£3.36

Material

301 Stainless Steel (Wr. 1.4310).



+44 (0)1246 455500



+44 (0)1246 455522

ondrives

<https://amironic.co.il/>



sales@ondrives.com

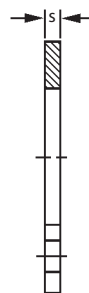
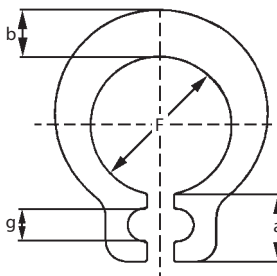
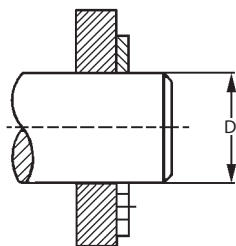


www.ondrives.com

CX-PS

Grip Rings

For Plain Shafts, Ungrooved : 2 - 12mm



Discounts: 6+ -12% 20+ -25% 60+ -37% 100+ -42% 200+ -48% 500+ -55% 1000+ -65%

Part Number	Shaft. Dia. D h10	F	s	a	b	g	Retaining Force (N)	Mass per 1000 Pieces (Kg)	Min. Order Quantity	Price per 1000 1 - 5
CX-PS-2	2.0	1.90 ^{+0.020}	0.6	1.9	1.0	0.9	50	0.036	1,000	£19.00
CX-PS-2.5	2.5	2.35 ^{+0.030}	0.6	1.9	1.2	0.9	60	0.045	1,000	£20.09
CX-PS-3	3.0	2.85 ^{+0.040}	0.6	2.1	1.4	0.9	75	0.065	1,000	£21.72
CX-PS-4	4.0	3.80 ^{+0.060}	0.8	2.7	1.8	1.2	100	0.154	10,000	£27.15
CX-PS-5	5.0	4.75 ^{+0.075}	0.8	2.9	2.2	1.3	130	0.200	10,000	£28.78
CX-PS-6	6.0	5.70 ^{+0.075}	1.0	3.2	2.4	1.4	170	0.402	5,000	£32.62
CX-PS-7	7.0	6.70 ^{+0.090}	1.0	3.4	2.7	1.4	180	0.428	4,000	£40.78
CX-PS-8	8.0	7.70 ^{+0.090}	1.0	3.5	3.0	1.4	200	0.524	3,000	£48.38
CX-PS-9	9.0	8.65 ^{+0.090}	1.2	4.7	3.3	2.0	230	0.808	1,000	£54.37
CX-PS-10	10.0	9.65 ^{+0.090}	1.2	4.7	3.5	2.0	250	0.944	1,000	£65.27
CX-PS-11	11.0	10.60 ^{+0.110}	1.2	4.8	4.2	2.0	280	1.208	1,000	£81.59
CX-PS-12	12.0	11.60 ^{+0.110}	1.2	4.8	4.6	2.0	300	1.454	1,000	£97.89

Material

Carbon Spring Steel (SAE 1060-1090).

Other Info.

Other sizes available to suit shafts 1.5 to 30mm, P.O.A.

Since these are very rigid rings, the use of pliers featuring a stop screw is advised to avoid excessive deformation to the ring.



+44 (0)1246 455500



+44 (0)1246 455522

ondrives

<https://amironic.co.il/>



sales@ondrives.com



www.ondrives.com