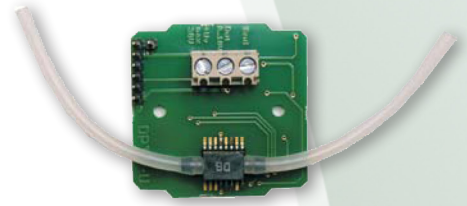


Pressure Sensor - DPTL



- Differential pressure measurement
- PCB design for OEM integration
- Range 250 Pa to 5000 Pa



Differential pressure transmitter for monitoring and controlling the differential pressure of air and other non-flammable and non-aggressive gases.

Possible applications:

Monitoring of air filters, fans, industrial cooling air cycles as well as overheating protection, control of air and fire dampers, anti-freeze with heat exchangers.

Part Number, range and output

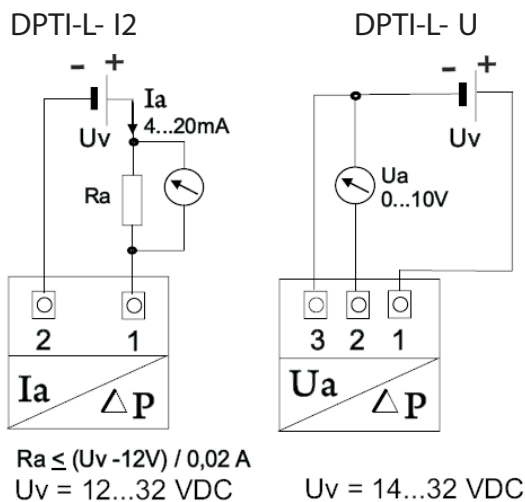
Type	Range	Output
DPTL-U.250	250 Pa	0...10V
DPTL-I2.250	250 Pa	4...20mA
DPTL-U.500	500 Pa	0...10V
DPTL-I2.500	500 Pa	4...20mA
DPTL-U.750	750 Pa	0...10V
DPTL-I2.750	750 Pa	4...20mA
DPTL-U.1000	1000 Pa	0...10V
DPTL-I2.1000	1000 Pa	4...20mA
DPTL-U.1250	1250 Pa	0...10V
DPTL-I2.1250	1250 Pa	4...20mA
DPTL-U.2500	2500 Pa	0...10V
DPTL-I2.2500	2500 Pa	4...20mA
DPTL-U.3750	3750 Pa	0...10V
DPTL-I2.3750	3750 Pa	4...20mA
DPTL-U.5000	5000 Pa	0...10V
DPTL-I2.5000	5000 Pa	Pa 4...20mA

Specification

Housing	no PCB
Duct connectors	PVC
Tubing	3 mm
Protection	no IP
Dimensions	45 x 40 mm
Weight	20g
Measuring element	Piezoresistive
Measuring accuracy	0...+40°C: ± 2.5 % FS
Typical total error	± 1.5% FS
Max. pressure	up to 1000 Pa : 5 kPa > 1000 Pa : 5x FS
Bursting pressure	up to 1000 Pa : 10 kPa > 1000 Pa : 10x FS
Media	Air and non-aggressive gases
Operating temperature	-10...50°C
Storage temperature	-20...70°C
Ambient humidity	0-95% rh, not condensend gases
Conformity	CE-Conformity EN 61326 EMC Directive 2004/108/EC

Installation

Terminal connection plan



Terminal connection plan

A prerequisite for the operation is a proper installation of all electrical supply, control and sensing leads as well as the pressurized connection line.

Before installing the device, the leak tightness of the pressurized connection lines must be inspected.

Electrical interface

Connections	Screw terminals, max. 1.5mm ²
Input voltage	12...32 V DC (DPTL-I2) 2 wire 14...32 V DC (DPTL-U) 3 wire
Output signal	4...20 mA 2 wire (DPTL-I2) load max 500Ω Max. load $R_a = (U_v - 12V) / 0,02 A$ 0...10 V 3 wire (DPTL U) load min 5kΩ

Security Advice



Caution

The installation and assembly of electrical equipment may only be performed by a skilled person.

The modules must not be used in any relation with equipment that supports, directly or indirectly, human health or life or with applications that can result in danger for people, animals or real value.

Dimensions

Width	42 mm
Height	41.5 mm
Hole distance	28.5 mm - in centre
PCB thickness	1.5 mm
Bottom construction	2.5 mm
Top construction	10 mm
Total Thickness approx.	14 mm

