

ETP-AM-SP-ASL-PT

- Robust and compact design
- Fast response time
- Wide environmental temperature range



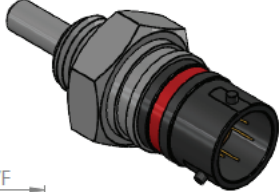
The ETP-AM-SP-ASL-PT temperature probe provides a measurement solution where heat, dust and moisture are prevalent and where a compact and robust high-reliability design is required. This sensor is particularly suitable for demanding temperature monitoring applications on vehicles, especially in the motorsports industry. With its fast response time and wide environmental temperature range, it is equally well-equipped for measurement of liquids and gases used in test machinery and industrial instrumentation.

Technical information

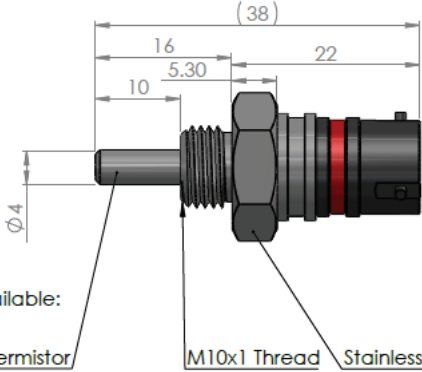
Element:	PT100B	PT1000A	Recommended applied current (self heating must be considered)
Accuracy:	$\pm (0.3 \text{ K} + 0.005 \times t)$	$\pm (0.15 \text{ K} + 0.002 \times t)$	1 mA at 100 Ω 0.3 mA at 1000 Ω
Working temperature:	-55°...+170 °C, short term 230 °C		
Environmental temperature:	-55°...+170 °C		
Sealing:	IP67		
Response time in still water t90:	7 s		
			Housing: 316 stainless steel
			Mating Connector ASL-106-05PN-HE
			Weight: 16 g

Dimensions and wiring

Connector wiring:
 Pin 1 - Sensor leg 1
 Pin 2 - Sensor leg 1 LINK
 Pin 3 - Sensor leg 2 LINK
 Pin 4 - Sensor leg 2
 Pin 5 - No connect

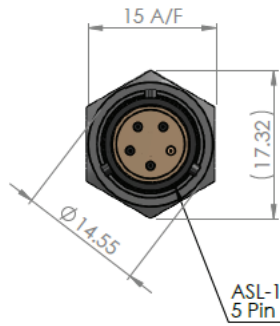


ASL-106-05PN-HE
5 Pin IP67



Elements available:
 PT100B RTD
 PT1000A RTD
 G10K3435 Thermistor

M10x1 Thread Stainless Steel Housing



Ordering Information

Ordering code: **94805-ETP-AM-SP-ASL-PT100A**

94807-ETP-AM-SP-ASL-PT1000A