

SMT Ring Terminal Probe

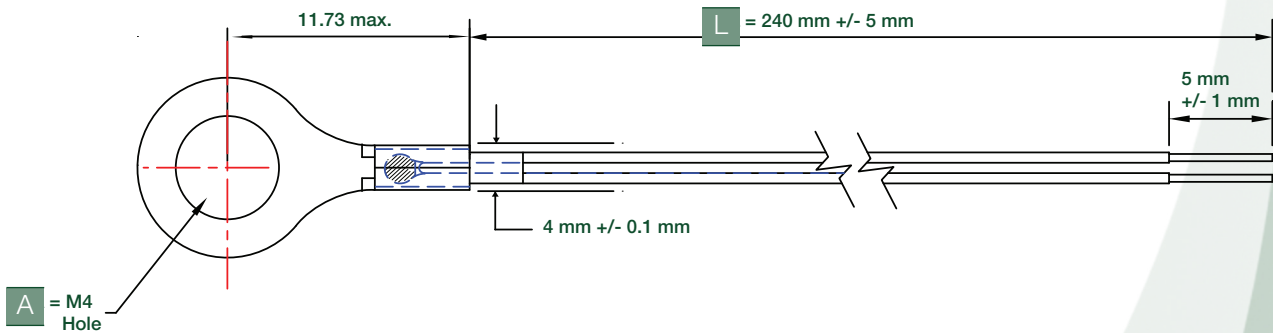
- Temperature range -40 to +250° C
- Available in a range of sizes
- PT100 and PT1000 available
- Custom designs available
- Higher temperature range available



Typical applications for these temperature sensors are:

- Industrial equipment
- Transit
- HVAC
- Power and utilities
- Computers
- Home appliances
- Calibration and instrumentation

Reference dimensions



Technical information for stock model

Sensing element	PT100 class B
Accuracy	$\pm (0,3 K + 0,005 \times t)$ °C
Operating temperature	-40 to +250° C
Epoxy thermal conductivity	1.7 W/(m.K)
Recommended applied current (self heating must be considered)	1 mA at 100 Ω 0.3 mA at 1000 Ω

Materials	
Leads and insulation	PTFE insulated leads 7 / 0.2 (24AWG)
Probe material	Tin plated copper

Features	
<ul style="list-style-type: none"> • Cost effective - off the shelf model • Stock model - reduced lead times • Improved potting epoxy has outstanding thermal conductivity for faster response times 	

Ordering information for standard stock model:

Stock model number: 93167-ETP - RT - 4 - 24 - PT100B



93167-ETP-RT-4-24-PT100B
 94425-ETP-RT-4-100-PT100B
 93156-ETP-RT-4-24-PT1000A
 94848-ETP-RT-4-100-PT1000A

Ordering information for custom designs:

Use the information below to build up a custom probe design.

A	Probe size					
	Order Code A =	4	5	6	8	x
	To suit stud size	M4	M5	M6	M8	Optional stud size

L	Probe cable length											
	Order Code L =	5	10	15	20	23	25	30	35	40	45	x
	Length in mm +/- 5 mm	50	100	150	200	230	250	300	350	400	450	Custom length

T	Thermistor type	
	Order Code T =	PT100B = PT100 class B PT100A = PT100 class A PT1000B = PT1000 class B PT1000A = PT1000 class A