

ETP21 Temperature Sensor



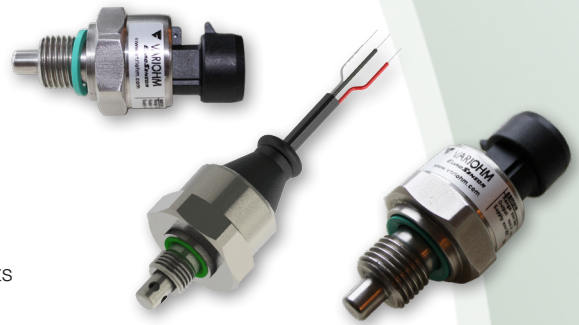
Eurosensor

- Long life and high performance
- Light weight stainless steel design
- Low cost temperature measurement

The **ETP21** is specifically designed for applications that require an easy mountable and robust temperature sensor.

Flexibility in design and available options provide solutions for most requirements of machine builders, special purpose vehicles and motor manufacturers.

The measurement element is the well proven PT100.



Specifications

| Performance | |
|-------------------------|---|
| Accuracy | < +/- 1.0 % at RT |
| Environment | |
| Temperature | -40°C to +125°C |
| Shock | 1000 G, 11 msec., 1/2 Sine |
| Vibration | 16 G peak, 20 to 2000 Hz |
| Sealing | IP 67 |
| Max. operating pressure | M10; G1/4 : 160 bar static BC: 60 bar static |

| Electronics | |
|----------------------------|--|
| Output → Supply | 0 - 10 V → 12 - 32 VDC 0 - 5 V → 6 - 32 VDC 4 - 20 mA → 10-32 VDC 0,5 - 4,5 V → 5 VDC ratiometric |
| Current consumption | < 7.5 mA |
| Short circuit protection | Yes |
| Reverse voltage protection | Yes |
| Mechanics | |
| Housing | 304 stainless steel |
| Process connections | see select table |
| Electrical connection | see select table |
| Weight | approx. 30 g |

Ordering Information

(Please use the characters in the chart below to construct your product code)

Stock models: **ETP21-M10x1-(-40/150)-5-A**
ETP21-A-(-40/150)-2-F

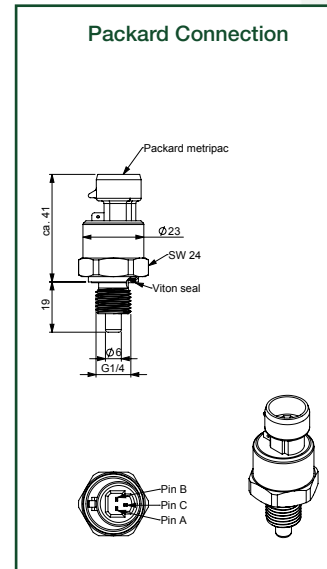
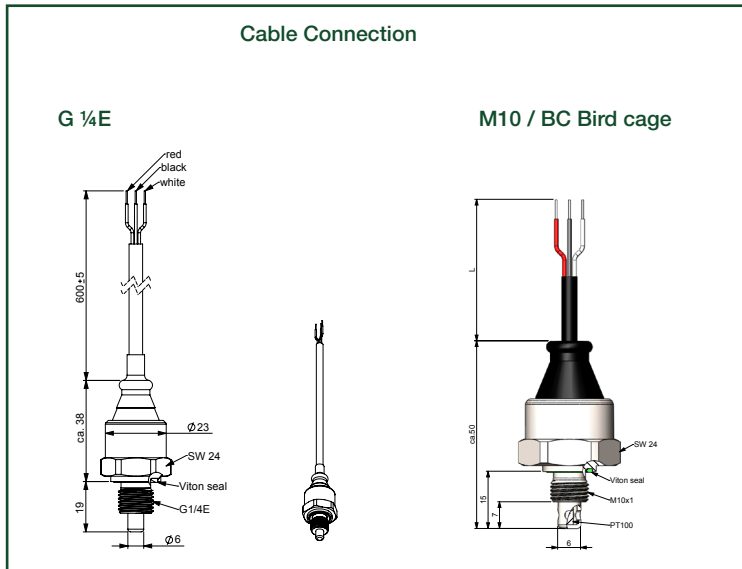
Sample Code: **ETP21 - A - -40/150 - 5 - A**

| Series | Process connection | Temperature Range | Output Signal | Electrical Interface |
|--------|--|-------------------|--|---|
| ETP21 | A - G1/4A-E M10 - M10x1 Male BC - Bird cage with M10x1 | Range | 1 = 0..10 V 2 = 4..20 mA 4 = 0..5 V 5 = 0.5..45 V ratiometric | A - 600 mm cable B - Miniature connector EN175301-803-C C - Connector - Packard Metripac F - M12x1 Round connector |
| | | Code | | |
| | | 0..80°C | 0/80 | |
| | | -40..+150°C | -40/150 | |

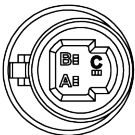
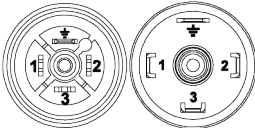

Custom options available on request

The ETP21 series is backed by a 1 Year Warranty. The purchaser is responsible for compatibility of the media, functional adequacy and correct installation of the transmitter.

Dimensions



Connection

| Type | | Output | PIN A | PIN B | PIN C |
|---|------------------------------------|---------------------------------|------------------|------------------|-------------------------|
|  | Connector - Packard Metripac | 0,5 - 4,5V 0..5 V 0..10 V | - Supply | + Supply | + Output |
| | | 4..20mA | - Current Output | + Supply | N/A |
|  | Miniature connector EN175301-803-C | 0,5 - 4,5V 0..5 V 0..10 V | + Supply | - Supply | + Output |
| | | 4..20mA | + Supply | - Current output | N/A |
|  | M12x1 Round connector | 0,5 - 4,5V 0..5 V 0..10 V | + Supply | N/A | - Supply + Output |
| | | 4..20mA | + Supply | N/A | - Current output N/A |
| | Cable | 0,5 - 4,5V 0..5 V 0..10 V | + Supply | - Supply | + Output |
| | | 4..20mA | + Supply | - Current output | N/A |