



## High Power Adaptor Military Specification

### Model: GIL8624B-09

Up to 235W output power  
18Vdc to 36Vdc Input Voltage  
Output Voltage #1 : 24v  
Option Output Voltage #2 :  
3v3 or 5v or 12v or 15v



#### Features

- Insolated Output voltage.
- Output power – up to 235W. (With Vo#2)
- Wide input voltage range 18Vdc to 36Vdc
- Remote on/off.
- Reverse input voltage protection. Auto recovery.
- Outputs Current limit.
- Wide operating temperature range -40°C to +65°C.
- **High efficiency up to 90%.**
- Protection against surge & spikes per MIL-STD-1275A&B, MIL-STD-704A÷F.
- Protection against conducted emission, conducted susceptibility and radiated susceptibility per MIL-STD-461.
- Protection against surge & spikes per DO-160E
- Environmental withstand according to MIL-STD 810.
- Water Proof- IP67
- Base plate cooling
- Anodize coating.

#### Applications

- Automotive
- Industrial
- Military

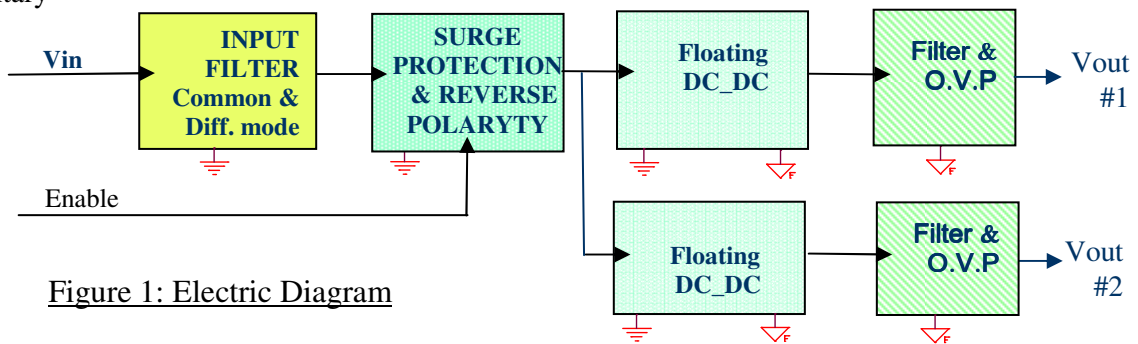


Figure 1: Electric Diagram



**Specification (at 25°C, 75% load, 28V nominal voltage, unless otherwise specified)**

<b>PARAMETER</b>	
<b>Input</b>	
Nominal input voltage:	28v
Input range	18v ÷ 36v
Reverse input protect	Automatic Recovery
Enable	Yes (positive or negative, see how to order)
Meet MIL-1275A/B	Surge – 100v/50ms, 0.5Ω, Spikes – 250v/70us
Meet MIL-704A/F	Surge – 80v/75ms Spikes – 600v/10us
Meet DO160E cat A/Z	Surge – 80v/100ms Spikes – 600v/10us
Meet MIL-461F	CS-101, CS-106, CE-103, RE-102.
<b>Output #1</b>	
Output voltage	24v
Output power	Up to 216W (9Amp.)
Voltage trim	+/- 10% (only by manufacture)
Voltage Accuracy	+/- 1%
Line Reg. & Load Regulation	+/-1.5% max
Output ripple ( 10MHz )	33mVrms max
Output Current limit	Remove overload for recovery.
<b>Option Output #2</b>	
Output voltage	3v3 or 5v or 12v or 15v
Output power	15w or 20w
Voltage trim	+/- 10% (only by manufacture)
Voltage Accuracy	+/- 1%
Line Reg. & Load Regulation	+/-1.5% max
Output ripple ( 10MHz )	25mVrms max
Output Current limit	Remove overload for recovery.
<b>General</b>	
Power Efficiency	90% typ.
Protection Rating	IP67 Waterproof
Remote control	Yes (see how to order)
Insolated Output to Input	500vMin
Case coating	Anodize
Weight (Tpy.)	640 gr.
<b>Environmental</b>	
Temperature MIL-STD-810G, Methods 501.5,502.5	-40 + 65°C , Operational Base Plate -40 + 95°C , Storage
Vibration	MIL-STD-810G, Method 514.5
<b>SHOCK</b> MIL-STD-810G, Method 516.5 –Ground equipment	SRS Shock of 40g's 15-23 msec @ cross over Freq -45 Hz per Table 516.6-I , Operational
<b>VIBRATION</b> , MIL-STD-810G	
Trucks & Trailers.	Cat. 4. Secured Cargo
Transportation	Cat. 5. Loose Cargo (with its transit case)
Aircraft , Operational	Cat. 20 Ground Vehicles



## Physical

Other connectors are Available. Please ask Manufactory.

Connector	Pin Number	Function	Description	Unit Connector
INPUT	J1/B	Vin	Input voltage	MS3102E12S-3P
	J1/A	GND	Input Return	
OUTPUT	J2/A	Vout #1	Output voltage	MS3102E14S-2S
	J2/D	GND out	Output GND	
	J2/B	EN1	ON/OFF PS	
	J2/C	EN2	ON/OFF PS	

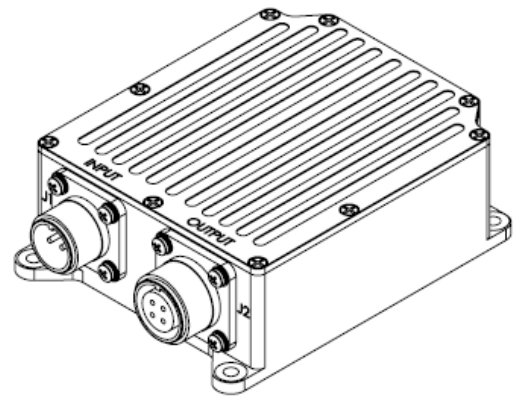
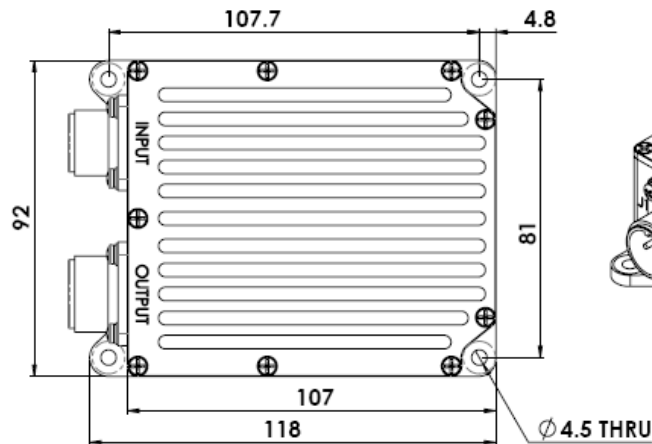
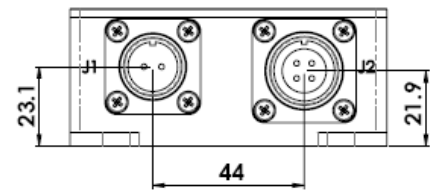
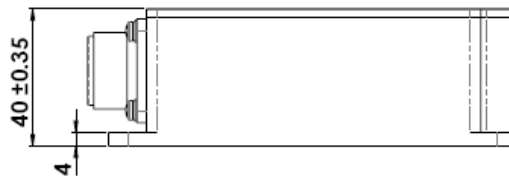
**Table 1: Pin Connection and function.**

Recommended to use opposite connectors: MS3106E12S-2S, MS3106E14S-2P

**Dimensions:** 118x 92 x40 mm, ± 0.25mm

Mounting holes size:

(4) Screw # 8/32



## How to Order:

### GIL8624B-09

Enable logic "On" = Leave open. "Off" = Short to EN1 to EN2. (VEN1 at "On" is 1.2v)

### GIL8624B-09-N

Enable logic "Off" = Leave open. "ON" = Short to EN1 to EN2. (VEN1 at "Off" is Vin via 20Kohm)

**For add Output Voltage #2: Please contact manufacture.**

**Option Output Voltage #2: 3V3 or 5v or 12v or 15V**

## NOTES:

1. **Warranty: 2 year.**
2. Specification subject to change without notice.

Information furnished by Gilgal power systems believed to be accurate and reliable.

However, no responsibility is assumed for its use. Gilgal power systems make no representation that the interconnection of its circuits a described herein will not infringe on existing patent rights.

All information stated in this sheet is under the terms mentioned in the SLA on Gilgal's website – [www.gilgalpower.com](http://www.gilgalpower.com)