

# Series GM12



אמירוניק בע"מ  
טל': 03-9047744  
פקס: 03-9047755

www.amironic.co.il



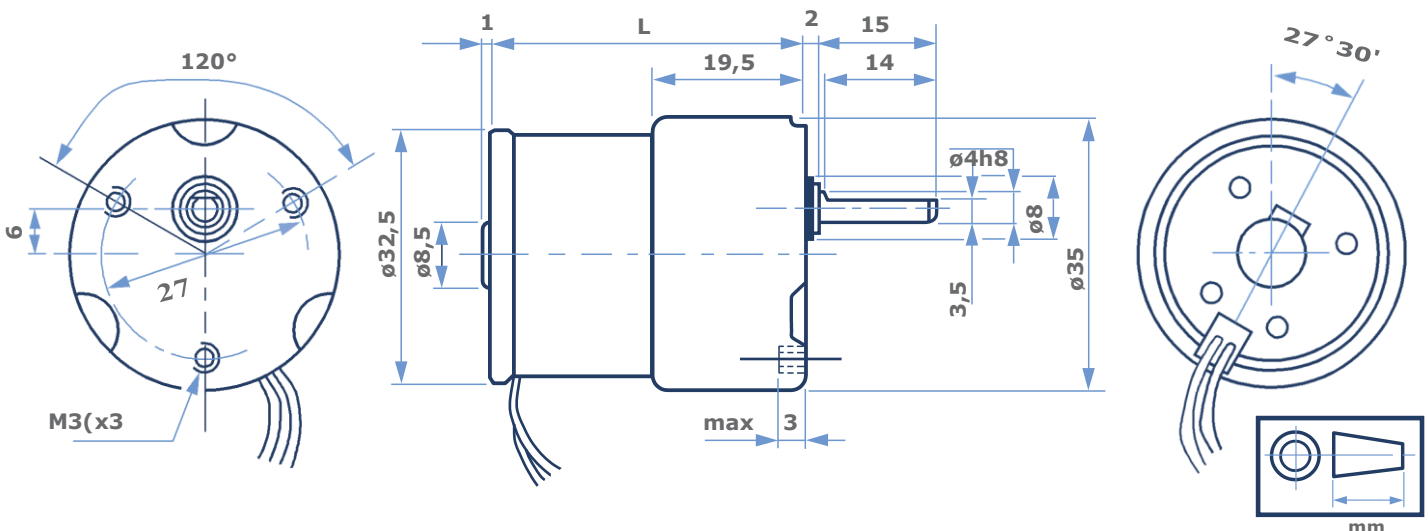
**VDR interference suppression on the collector**  
**Precious metal brushes (Au-Ag-Cu)**  
**Direction of rotation depending on polarity**  
**Can be mounted in any position**  
**Maximum radial shaft load: 20N**  
**Maximum axial shaft load: 5N**  
**Temperature range: -20°C/60°C**  
**Approx weight: 90g**

Gear Motors with Two-Phase Hall Effect 90° Encoders Available

Typical values at ambient temperature +20°

Tolerance +/- 10%

TYPE	NOMINAL VOLTAGE	L	RATIO TO :1	MAXIMUM TORQUE	SPEED		CURRENT	
					NO LOAD	AT MAX TORQUE	NO LOAD	AT MAX TORQUE
	V	mm	Ncm	rpm	mA			
GM12 • 12 • 6/12	6/12	40	12,25	1,5	220	155	<30 <20	100 55
GM12 • 21 • 6/12	6/12	40	21,14	2,5	125	85	<30 <20	100 55
GM12 • 36 • 6/12	6/12	40	35,73	4	73	53	<30 <20	95 50
GM12 • 72 • 6/12	6/12	40	71,54	7	37	28	<30 <20	95 50
GM12 • 149 • 6/12	6/12	40	149,05	14	18	13	<30 <20	95 50
GM12 • 208 • 6/12	6/12	40	208,66	20	13	9	<30 <20	95 50
GM12 • 608 • 6/12	6/12	40	608,61	50	4,3	3,3	<30 <20	90 48
GM12 • 1470 • 6/12	6/12	40	1470,82	50	1,8	1,6	<30 <20	58 30



AMIRONIC LTD

TEL: +973-3-9047744 FAX: +972-3-9047755  
www.amironic.co.il