

# 6224 Leptron Foot/Palm Switches

# herga

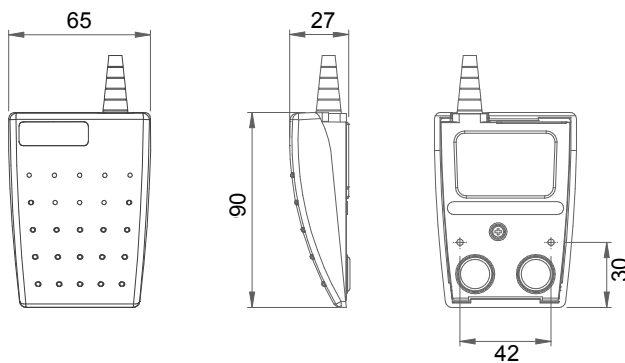
Technology Ltd

For IPX7 / IPX8 UL Approved / IEC 60601-1

- Low profile switch designed for improved user comfort
- All plastic construction with raised tread pattern, ideal for palm or foot operation
- Versatility and innovative design make it an ideal product for OEM use
- Switches designed to meet medical, industrial/office/commercial standards
- Option for customers to fit own cables



## Outline dimensions



## General specifications

Standards/approvals	Footswitch: EN 60950, EN 60601-1, UL 60601-1, CSA C22.2 No601.1-M90 UL File No. E207181, IEC 60601-1 (dependent upon application chosen) Microswitch: EN 61058-2-1, EN 61058	Operating temperature range	-5°C to +40°C
Degree of protection	EN 60529 IPX7 (IPX8 upon request)	Body material	Thermoplastic
Connection method	Stripped cable cores or connector of your choice	Weight	0.212Kg (including cable)
Electrical rating	See table page 2	Additional information	Customized versions available (logos, cordsets, colours, guards)
Contact configuration	SPST N/O, SPST N/C, SPCO		



# 6224 Leptron Foot/Palm Switches

# herga

For IPX7 / IPX8 UL Approved / IEC 60601-1

Technology Ltd

## 6224: Ordering and options

6224 - [ ] [ ] [ ] **B** - [ ] [ ] [ ] [ ] - [ ] [ ] [ ]

### Model

#### Cover & base colours

A	Black cover & Black base	F	Black cover & Grey base
B	Grey cover & Black base	G	Grey cover & Grey base
C	Yellow cover & Black base	H	Yellow cover & Grey base
D	Green cover & Black base	J	Green cover & Grey base
L	Blue cover & Black base	M	Blue cover & Grey base

#### Base configuration

A	Base fitted with M3 brass inserts / no guard fitted
B	V3 base with M3 inserts, Omron micro
C	V3 base with no inserts, Omron micro
Z	No inserts or guard fitted

When choosing options B & C, the base fixing centres are 40 mm

#### Switching operation

A	SPST N/O, Cherry V4 micro
B	SPCO, Cherry V4 micro
C	SPST N/C, Cherry V4 micro
D	SPST N/O, Omron V3 micro, silver contacts
E	SPST N/O, Omron V3 micro, gold contacts
F	SPCO, Omron V3 micro, silver contacts
G	SPCO, Omron V3 micro, gold contacts
H	SPST N/C, Omron V3 micro, silver contacts
J	SPST N/C, Omron V3 micro, gold contacts

#### Approvals

B	IEC 60601-1 and UL 60601-1
---	----------------------------

#### IEC 60601-1 & UL 60601-1, 2 and 3 core cordsets

AZAZ	2-core grey, silver contacts, 1.75A 24V	ZAZA	3-core grey, silver contacts, 1.75A 24V
BZBZ	2-core grey, gold contacts, 0.1A 24V	ZBZB	3-core grey, gold contacts, 0.1A 24V
CZCZ	2-core black, silver contacts, 1.75A 24V	ZCZC	3-core black, silver contacts, 1.75A 24V
DZDZ	2-core black, gold contacts, 0.1A 24V	ZDZD	3-core black, gold contacts, 0.1A 24V
EZ EZ	2-core grey screened, silver contacts, 1.75A 24V	ZEZE	3-core grey screened, silver contacts, 1.75A 24V
FZ FZ	2-core grey screened, gold contacts, 0.1A 24V	ZFZF	3-core grey screened, gold contacts, 0.1A 24V
		ZZZZ	No option chosen

#### Special attributes

Customer specified/supplied cordset for factory fitting with or without plug  
 Customer specified identification and label combination - the suitability may not be covered by UL  
 Guard fitted  
 Cable length variation if different from 2m  
 Z indicates no option provided