

6448 Foot Bellows

herga

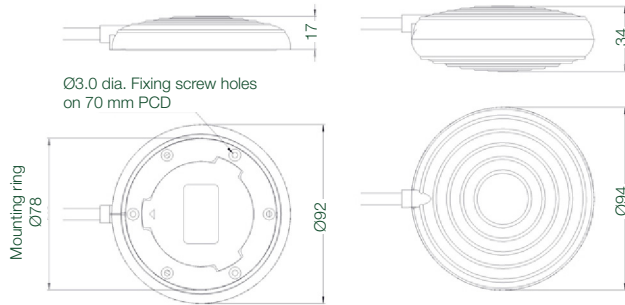
Technology Ltd

- Low profile, easy to operate foot bellows
- For free standing applications or secured with a built in mounting
- Available as twin foot bellows (see 6447) and with convex top and base
- Baseplate material - rigid polymer
- Bellows material - flexible polymer



New base option
 • please contact sales for more information

Outline dimensions



Note: To remove mounting ring from bellows as supplied, insert a 3 mm dia. bar in one of the holes & twist anti-clockwise through 41°. Mounting ring can be used as a template for drilling/tapping holes in mounting face.

Ordering and options

Stock model: **6448-AAAB-0000**

6448 - [] [] [] [] - 0 0 0 []

Model

Tube entry

- A Side tube entry, flat base with mounting ring
- B Side tube entry, flat base without mounting ring
- C Back entry spout, flat base with mounting ring
- D Back entry spout, flat base without mounting ring
- E Side tube entry, flexible base (double volume)

Colour option

- A Black
- B Grey
- C White
- D Red
- F Green

Tube type

- A Black tubing with 3mm I/D and 6mm O/D
- B Clear tubing with 3mm I/D and 6mm O/D
- C Black tubing with 1.5mm I/D and 3mm O/D

Tube length

- A 1.5m
- B 2m
- C 3m
- D 4m
- E 5m
- F 6m
- G Curly coil tube (2 4M ext.)
- Z None supplied

Note:
 To remove mounting ring from bellows as supplied, insert a 3.0mm bar in one of the holes and twist anti-clockwise through 41°. Mounting ring can be used as a template for drilling/tapping holes in mounting face.

General specifications

Standards/approvals	n/a	Operating temperature range	-10°C to +40°C
Degree of protection	EN 60529 IPX4	Body material	Thermoplastic
Connection method	Tubing 3mm I/D or 1.5mm I/D (back entry only)	Weight	0.1kg



Herga Technology Ltd - Northern Way - Bury St. Edmunds - Suffolk - IP32 6NN - UK
 sales@herga.com • www.herga.com • +44 (0)1284 701422

Subject to change without notice