

PRELIMINARY



LandMark™ 006 IMU

with VELOX™



Engineered for precision, the SX3 LandMark™006 delivers six-axis performance with ultra-low noise sensors and VELOX™ processing at its core. Fully calibrated across temperature ranges and backed by customizable firmware, it's the go-to MEMS IMU for stabilization and high-accuracy measurement in demanding environments.

0.0254°/√Hr
ARW

10kHz
Output Rate

35°/h
Bias Over Temperature

600Hz
Bandwidth

0.63
Cubic Inches

<20μs
Message Delay

MISSION PROVEN

Inertial Sensors and Systems



GLADIATOR
TECHNOLOGIES

LandMark™006 IMU

Performance	Gyro Axes	Accel Axes
Range	± 300°/sec	± 15 g
ARW - VRW	0.0254°/Vhr	40 µg/VHz - 0.017 m/s/Vhr
Bias Stability	0.8°/h	0.02 mg
Bias Over Temp.	35°/h	< 0.4mg
Vibration Rectification Error	0.2 °/hr/g²rms	1 mg/g²
Scale Factor Error	500 ppm	
Alignment	500 µrad	250 µrad

Environment

Shock (Operational)	1000g's ½ sine ½ msec powered
Vibration (Operational)	8 gRMS (50 Hz to 2 kHz)
Calibrated Temp	-50°C to 85°C
Storage Temp	-55°C to 85°C
G-Sensitivity	<0.01 °/s /g
Reliability 55°C (MTBF)	>170,000 hrs

Interface

Interface	VELOX™	VELOX™ Plus
Data Interface	RS-422/485	16/24/32 Bit
Data Rate	8 kHz	10 kHz
External Sync	8 kHz	10 kHz
Max Baud Rate	3.0 Mbaud	7.5 Mbaud (user specified)
Max Bandwidth	270 Hz	600 Hz
Digital Message Delay	60 µs	20 µs

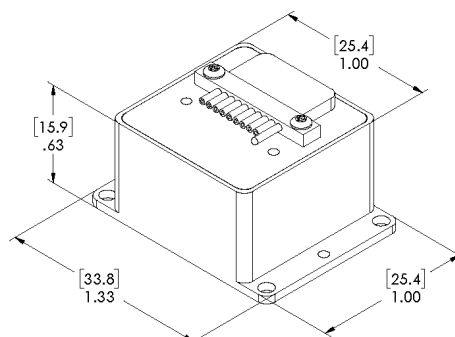
Electrical

Input Voltage	+4.0 V to + 5.5 V Max (single sided)
Power Consumption	500 mW Typical / 640 mW Maximum

Mechanical

Mass	17+/-1 g
Size	Metric: 2.54 x 2.54 x 1.58 = 10.2 cm³ US: 1.0 x 1.0 x 0.63 = 0.63in³

All performance parameters typical value
Specification subject to change without notice
Rev. 26.05.22



**Further Technical
Information Available:**
www.gladiatortechnologies.com

NON ITAR



Gladiator Technologies
35329 SE Center St
Snoqualmie, WA 98065, USA

425.363.4180
www.gladiatortechnologies.com
sales@gladiatortechnologies.com