

LS309-51N

Features

- High or low level sensing
- Internal or external fitting
- Reed Switch reliability
- Nitrile sealing washer/grommet
- Easy installation

Comments

- High or low level sensing
- Normally open or normally closed by rotating through 180
- Suitable for a wide range of liquids
- Interface option available
- Nylon 6.6 Material



Applications

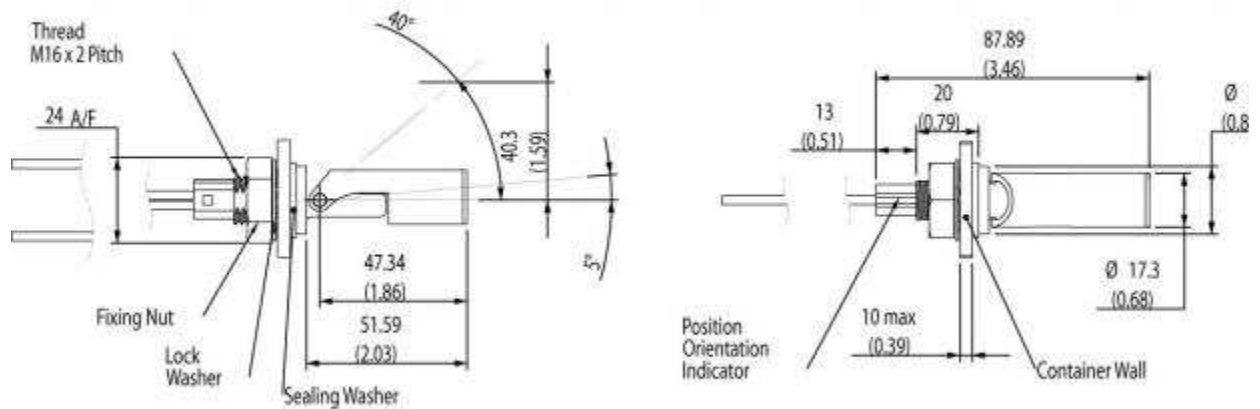
- Chemical high or low level
- Diesel Fuel
- Fuel low level
- Alcohols
- Low Oil Detection

Material

Housing Material	Glass Filled Nylon 6.6
Float Material	Glass Filled Nylon 6.6
Contact Material	Ruthenium
Float SG	0.85
Operating Temperature °C	-30 to 130
Medium	Fuels, Oils, Alcohols
Housing Colour	Blue

Float Colour	Blue
Mechanical Specifications	
Shock	50g for 11mS duration
Vibration	35g up to 500Hz
Maximum Pressure	4.7 Bar
IP	IP65
Switching	
Switch Action (Reed Switch)	SPST
Max Switching Voltage VDC	200
Max Switching Voltage VAC	250
Max Switching Current Amps	1
Max Switching Load Watt	70
Operate Mode	N/C with float horizontal
Contact Form	A
Cable	
Cable Length	2 x 0.5M single insulated
Connection Type	Stripped Cables
Cable Type	18AWG, 32/0.2mm PVC insulated
Cable Colour	Black/Black
Mounting	
Thread	M16
Fitting	Universal Internal or External
Mounting	Horizontal
Technical Drawing	

Internal Fitting



External Fitting

