

# LS509-51

## Features

- High or low level sensing
- Internal or external fitting
- Reed Switch reliability
- Silicone sealing washer/grommet
- Easy installation

## Comments

- High or low level sensing
- Normally open or normally closed by rotating through 180
- Suitable for a wide range of liquids
- Interface option available
- PPS Material



## Applications

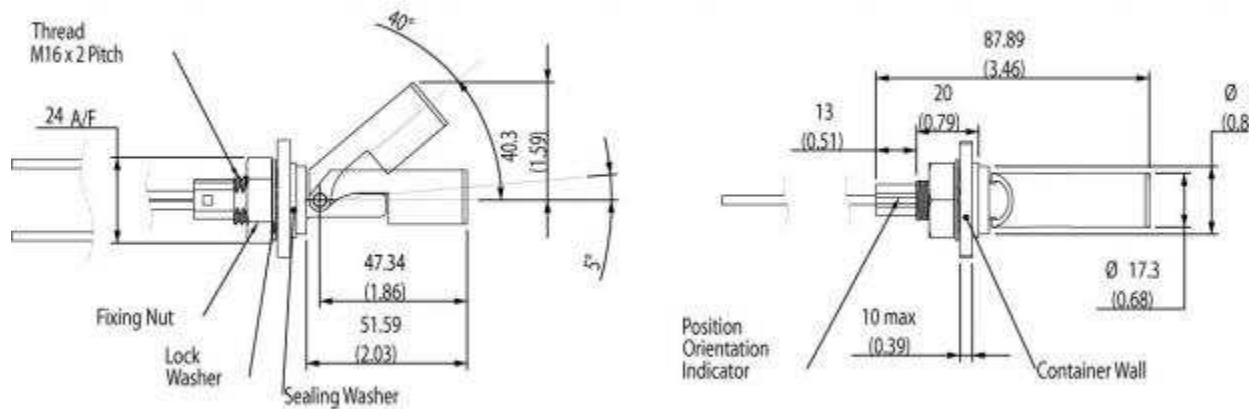
- Coolant level indication
- Water high or low Level
- Boiler heating element protection
- Drinking water level
- Boiling Water

## Material

<b>Housing Material</b>	Glass Filled PPS
<b>Float Material</b>	Glass Filled PPS
<b>Contact Material</b>	Ruthenium
<b>Float SG</b>	0.7
<b>Operating Temperature °C</b>	-30 to 110
<b>Medium</b>	Boiling Water, Drinking Water (Potable Water)

	Water
<b>Housing Colour</b>	Black
<b>Float Colour</b>	Black
<b>Mechanical Specifications</b>	
<b>Shock</b>	50g for 11mS duration
<b>Vibration</b>	35g up to 500Hz
<b>Maximum Pressure</b>	4.7 Bar
<b>IP</b>	IP65
<b>Switching</b>	
<b>Switch Action (Reed Switch)</b>	SPST
<b>Max Switching Voltage VDC</b>	200
<b>Max Switching Voltage VAC</b>	250
<b>Max Switching Current Amps</b>	1
<b>Max Switching Load Watt</b>	70
<b>Operate Mode</b>	N/C with float horizontal
<b>Contact Form</b>	A
<b>Cable</b>	
<b>Cable Length</b>	2 x 0.5M single insulated
<b>Connection Type</b>	Stripped Cables
<b>Cable Type</b>	18AWG, 32/0.2mm PVC insulated
<b>Cable Colour</b>	Black/Black
<b>Mounting</b>	
<b>Thread</b>	M16
<b>Fitting</b>	Universal Internal or External
<b>Mounting</b>	Horizontal
<b>Technical Drawing</b>	

## Internal Fitting



## External Fitting

