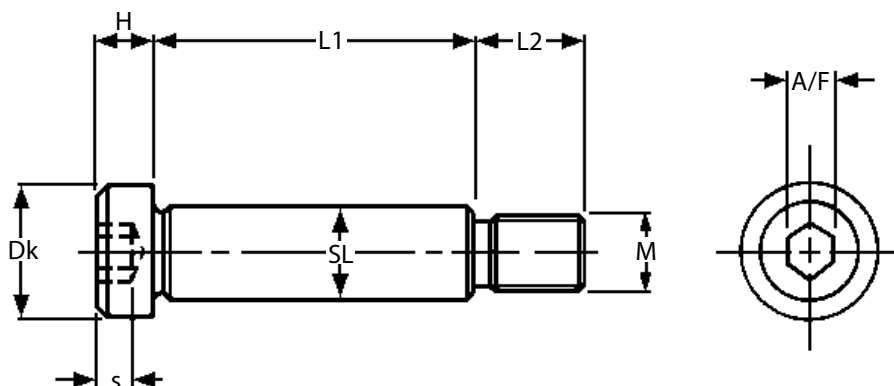


FASTENERS

Shoulder Screws

Hardened Steel : BS 4168 Pt. 7 (ISO 7379) : M5 - M8

HSS



Nominal Size (SL)	Thread M	Thread Section		Tensile Strength Shoulder		Thread Neck		Tightening Torque Nm**
		Kg	KN	Kg	KN	Kg	KN	
6	M5	1,732	16.99	2,087	20.47	777	7.62	7.61
8	M6	2,450	24.03	3,710	36.38	1,112	10.90	13.14
10	M8	4,465	43.77	5,798	56.86	2,122	20.81	33.63
12	M10	7,075	69.38	8,349	81.88	3,446	33.79	60.56
16	M12	10,250	100.52	14,842	145.55	5,079	49.80	120.62
20	M16	19,150	187.80	23,191	227.43	9,828	96.38	273.80
24	M20	29,850	292.73	33,395	327.49	15,518	152.18	491.70

Part Number	Thread M	L1+0.25	L2	Dk	s	SL	H	A/F
HSS5-10	M5	10	9.75	10.22	2.4	6 ^{-0.010} _{-0.040}	4.5	3
HSS5-12	M5	12	9.75	10.22	2.4	6 ^{-0.010} _{-0.040}	4.5	3
HSS5-16	M5	16	9.75	10.22	2.4	6 ^{-0.010} _{-0.040}	4.5	3
HSS5-20	M5	20	9.75	10.22	2.4	6 ^{-0.010} _{-0.040}	4.5	3
HSS5-25	M5	25	9.75	10.22	2.4	6 ^{-0.010} _{-0.040}	4.5	3
HSS5-30	M5	30	9.75	10.22	2.4	6 ^{-0.010} _{-0.040}	4.5	3
HSS5-40	M5	40	9.75	10.22	2.4	6 ^{-0.010} _{-0.040}	4.5	3
HSS6-12	M6	12	11.25	13.27	3.3	8 ^{-0.013} _{-0.049}	5.5	4
HSS6-16	M6	16	11.25	13.27	3.3	8 ^{-0.013} _{-0.049}	5.5	4
HSS6-20	M6	20	11.25	13.27	3.3	8 ^{-0.013} _{-0.049}	5.5	4
HSS6-25	M6	25	11.25	13.27	3.3	8 ^{-0.013} _{-0.049}	5.5	4
HSS6-30	M6	30	11.25	13.27	3.3	8 ^{-0.013} _{-0.049}	5.5	4
HSS6-40	M6	40	11.25	13.27	3.3	8 ^{-0.013} _{-0.049}	5.5	4
HSS6-50	M6	50	11.25	13.27	3.3	8 ^{-0.013} _{-0.049}	5.5	4
HSS8-16	M8	16	13.25	16.27	4.2	10 ^{-0.013} _{-0.049}	7.0	5
HSS8-20	M8	20	13.25	16.27	4.2	10 ^{-0.013} _{-0.049}	7.0	5
HSS8-25	M8	25	13.25	16.27	4.2	10 ^{-0.013} _{-0.049}	7.0	5
HSS8-30	M8	30	13.25	16.27	4.2	10 ^{-0.013} _{-0.049}	7.0	5
HSS8-40	M8	40	13.25	16.27	4.2	10 ^{-0.013} _{-0.049}	7.0	5
HSS8-50	M8	50	13.25	16.27	4.2	10 ^{-0.013} _{-0.049}	7.0	5
HSS8-60	M8	60	13.25	16.27	4.2	10 ^{-0.013} _{-0.049}	7.0	5
HSS8-70	M8	70	13.25	16.27	4.2	10 ^{-0.013} _{-0.049}	7.0	5
HSS8-80	M8	80	13.25	16.27	4.2	10 ^{-0.013} _{-0.049}	7.0	5

Material

Alloy Steel, 12.9 Strength Grade.

Hardness: 38 HRC.

Minimum Tensile Strength*: 1,220N/mm².

Shear Strength: 624N/mm².

Minimum Elongation: 8%.

Working Temperature: -50°C +300°C.

* Where tensile tests cannot be carried out because sizes are too small, the hardness test is acceptable.

** It is recommended that tightening torque be limited to these values when screws are to be tightened or loosened with standard keys or bits.



+44 (0)1246 455500



+44 (0)1246 455522

ondrives



sales@ondrives.com



www.ondrives.com

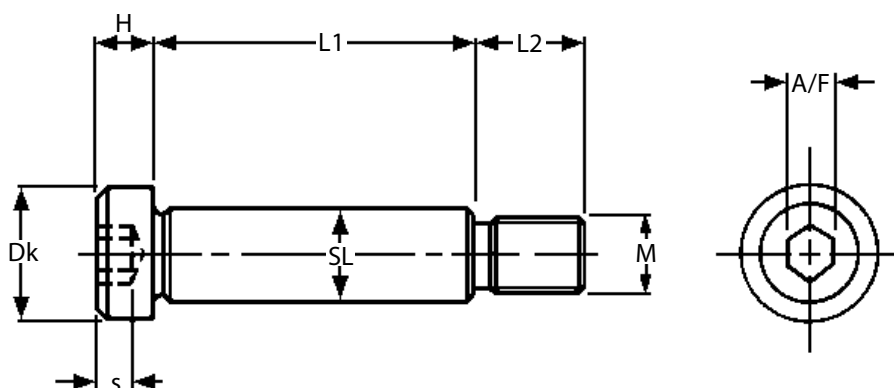
Product information updated May 2017 and subject to change. Please click the product links for prices and availability.

FASTENERS

Shoulder Screws

Hardened Steel : BS 4168 Pt. 7 (ISO 7379) : M10 - M12

HSS



Nominal Size (SL)	Thread M	Thread Section		Tensile Strength Shoulder		Thread Neck		Tightening Torque Nm**
		Kg	KN	Kg	KN	Kg	KN	
6	M5	1,732	16.99	2,087	20.47	777	7.62	7.61
8	M6	2,450	24.03	3,710	36.38	1,112	10.90	13.14
10	M8	4,465	43.77	5,798	56.86	2,122	20.81	33.63
12	M10	7,075	69.38	8,349	81.88	3,446	33.79	60.56
16	M12	10,250	100.52	14,842	145.55	5,079	49.80	120.62
20	M16	19,150	187.80	23,191	227.43	9,828	96.38	273.80
24	M20	29,850	292.73	33,395	327.49	15,518	152.18	491.70

Part Number	Thread M	L1+0.25	L2	Dk	s	SL	H	A/F
HSS10-16	M10	16	16.4	18.27	4.9	12 ^{-0.016/-0.059}	8	6
HSS10-20	M10	20	16.4	18.27	4.9	12 ^{-0.016/-0.059}	8	6
HSS10-25	M10	25	16.4	18.27	4.9	12 ^{-0.016/-0.059}	8	6
HSS10-30	M10	30	16.4	18.27	4.9	12 ^{-0.016/-0.059}	8	6
HSS10-40	M10	40	16.4	18.27	4.9	12 ^{-0.016/-0.059}	8	6
HSS10-50	M10	50	16.4	18.27	4.9	12 ^{-0.016/-0.059}	8	6
HSS10-60	M10	60	16.4	18.27	4.9	12 ^{-0.016/-0.059}	8	6
HSS10-70	M10	70	16.4	18.27	4.9	12 ^{-0.016/-0.059}	8	6
HSS10-80	M10	80	16.4	18.27	4.9	12 ^{-0.016/-0.059}	8	6
HSS10-90	M10	90	16.4	18.27	4.9	12 ^{-0.016/-0.059}	8	6
HSS10-100	M10	100	16.4	18.27	4.9	12 ^{-0.016/-0.059}	8	6
HSS12-30	M12	30	18.4	24.33	6.6	16 ^{-0.016/-0.059}	10	8
HSS12-40	M12	40	18.4	24.33	6.6	16 ^{-0.016/-0.059}	10	8
HSS12-50	M12	50	18.4	24.33	6.6	16 ^{-0.016/-0.059}	10	8
HSS12-60	M12	60	18.4	24.33	6.6	16 ^{-0.016/-0.059}	10	8
HSS12-70	M12	70	18.4	24.33	6.6	16 ^{-0.016/-0.059}	10	8
HSS12-80	M12	80	18.4	24.33	6.6	16 ^{-0.016/-0.059}	10	8
HSS12-90	M12	90	18.4	24.33	6.6	16 ^{-0.016/-0.059}	10	8
HSS12-120	M12	120	18.4	24.33	6.6	16 ^{-0.016/-0.059}	10	8

Material

Alloy Steel, 12.9 Strength Grade.

Hardness: 38 HRC.

Minimum Tensile Strength*: 1,220N/mm².

Shear Strength: 624N/mm².

Minimum Elongation: 8%.

Working Temperature: -50°C +300°C.

* Where tensile tests cannot be carried out because sizes are too small, the hardness test is acceptable.

** It is recommended that tightening torque be limited to these values when screws are to be tightened or loosened with standard keys or bits.



+44 (0)1246 455500



+44 (0)1246 455522

ondrives



sales@ondrives.com



www.ondrives.com

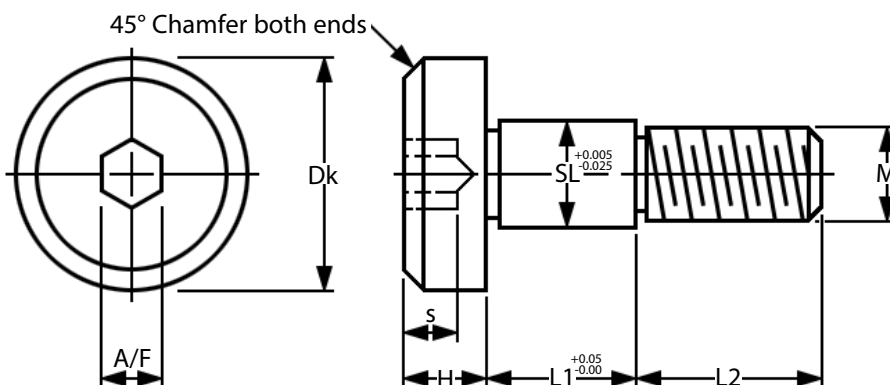
Product information updated May 2017 and subject to change. Please click the product links for prices and availability.

FASTENERS

Precision Shoulder Screws

303 & 416 Grade Stainless Steel, Grade 5 Titanium 6AL-4V : M3 - M10

SHS
SHSS
SHST



303 Stainless	416 Stainless	Titanium	Thread	SL ^{+0.005/-0.025}	L1 ^{+0.05/-0.00}	Dk	H	L2	A/F	s
SHS3-4	SHSS3-4	SHST3-4	M3	3.987	4.013	6	3	4	2.0	1.6
SHS3-5	SHSS3-5	SHST3-5	M3	3.987	5.013	6	3	4	2.0	1.6
SHS3-6	SHSS3-6	SHST3-6	M3	3.987	6.013	6	3	4	2.0	1.6
SHS3-8	SHSS3-8	SHST3-8	M3	3.987	8.013	6	3	4	2.0	1.6
SHS3-10	SHSS3-10	SHST3-10	M3	3.987	10.013	6	3	4	2.0	1.6
SHS4-4	SHSS4-4	SHST4-4	M4	4.987	4.013	8	4	5	2.5	2.0
SHS4-5	SHSS4-5	SHST4-5	M4	4.987	5.013	8	4	5	2.5	2.0
SHS4-6	SHSS4-6	SHST4-6	M4	4.987	6.013	8	4	5	2.5	2.0
SHS4-8	SHSS4-8	SHST4-8	M4	4.987	8.013	8	4	5	2.5	2.0
SHS4-10	SHSS4-10	SHST4-10	M4	4.987	10.013	8	4	5	2.5	2.0
SHS4-12	SHSS4-12	SHST4-12	M4	4.987	12.013	8	4	5	2.5	2.0
SHS4-14	SHSS4-14	SHST4-14	M4	4.987	14.013	8	4	5	2.5	2.0
SHS4-16	SHSS4-16	SHST4-16	M4	4.987	16.013	8	4	5	2.5	2.0
SHS4-20	SHSS4-20	SHST4-20	M4	4.987	20.013	8	4	5	2.5	2.0
SHS4-25	SHSS4-25	SHST4-25	M4	4.987	25.013	8	4	5	2.5	2.0
SHS4-30	SHSS4-30	SHST4-30	M4	4.987	30.013	8	4	5	2.5	2.0
SHS5-4	SHSS5-4	SHST5-4	M5	5.987	4.013	10	5	6	3.0	2.4
SHS5-5	SHSS5-5	SHST5-5	M5	5.987	5.013	10	5	6	3.0	2.4
SHS5-6	SHSS5-6	SHST5-6	M5	5.987	6.013	10	5	6	3.0	2.4
SHS5-8	SHSS5-8	SHST5-8	M5	5.987	8.013	10	5	6	3.0	2.4
SHS5-10	SHSS5-10	SHST5-10	M5	5.987	10.013	10	5	6	3.0	2.4
SHS5-12	SHSS5-12	SHST5-12	M5	5.987	12.013	10	5	6	3.0	2.4
SHS5-14	SHSS5-14	SHST5-14	M5	5.987	14.013	10	5	6	3.0	2.4
SHS5-16	SHSS5-16	SHST5-16	M5	5.987	16.013	10	5	6	3.0	2.4
SHS5-20	SHSS5-20	SHST5-20	M5	5.987	20.013	10	5	6	3.0	2.4
SHS5-25	SHSS5-25	SHST5-25	M5	5.987	25.013	10	5	6	3.0	2.4
SHS5-30	SHSS5-30	SHST5-30	M5	5.987	30.013	10	5	6	3.0	2.4
SHS6-6	SHSS6-6	SHST6-6	M6	7.987	6.013	12	6	11	4.0	3.2
SHS6-8	SHSS6-8	SHST6-8	M6	7.987	8.013	12	6	11	4.0	3.2
SHS6-10	SHSS6-10	SHST6-10	M6	7.987	10.013	12	6	11	4.0	3.2
SHS6-12	SHSS6-12	SHST6-12	M6	7.987	12.013	12	6	11	4.0	3.2
SHS6-16	SHSS6-16	SHST6-16	M6	7.987	16.013	12	6	11	4.0	3.2
SHS6-20	SHSS6-20	SHST6-20	M6	7.987	20.013	12	6	11	4.0	3.2
SHS6-25	SHSS6-25	SHST6-25	M6	7.987	25.013	12	6	11	4.0	3.2
SHS6-30	SHSS6-30	SHST6-30	M6	7.987	30.013	12	6	11	4.0	3.2
SHS6.1-8	SHSS6.1-8	SHST6.1-8	M6	9.987	8.013	12	6	11	4.0	3.2
SHS6.1-10	SHSS6.1-10	SHST6.1-10	M6	9.987	10.013	12	6	11	4.0	3.2
SHS6.1-12	SHSS6.1-12	SHST6.1-12	M6	9.987	12.013	12	6	11	4.0	3.2
SHS6.1-16	SHSS6.1-16	SHST6.1-16	M6	9.987	16.013	12	6	11	4.0	3.2
SHS8-8	SHSS8-8	SHST8-8	M8	9.987	8.013	14	7	12	5.0	4.0
SHS8-10	SHSS8-10	SHST8-10	M8	9.987	10.013	14	7	12	5.0	4.0
SHS8-12	SHSS8-12	SHST8-12	M8	9.987	12.013	14	7	12	5.0	4.0
SHS8-16	SHSS8-16	SHST8-16	M8	9.987	16.013	14	7	12	5.0	4.0
SHS8-20	SHSS8-20	SHST8-20	M8	9.987	20.013	14	7	12	5.0	4.0
SHS8-25	SHSS8-25	SHST8-25	M8	9.987	25.013	14	7	12	5.0	4.0
SHS8-30	SHSS8-30	SHST8-30	M8	9.987	30.013	14	7	12	5.0	4.0
SHS10-12	SHSS10-12	SHST10-12	M10	11.987	12.013	20	8	16	6.0	4.8
SHS10-16	SHSS10-16	SHST10-16	M10	11.987	16.013	20	8	16	6.0	4.8
SHS10-20	SHSS10-20	SHST10-20	M10	11.987	20.013	20	8	16	6.0	4.8
SHS10-25	SHSS10-25	SHST10-25	M10	11.987	25.013	20	8	16	6.0	4.8
SHS10-30	SHSS10-30	SHST10-30	M10	11.987	30.013	20	8	16	6.0	4.8

Material

SHS: 303 Stainless Steel. **Min. Tensile Strength:** 550 N/mm².
SHSS: 416 Hard Stainless Steel. **Min. Tensile Strength:** 650 N/mm².
SHST: Grade 5 Titanium 6AL-4V. **Min. Tensile Strength:** 1,100 N/mm².

Also available with the slotted or cross recessed heads, P.O.A.

+44 (0)1246 455500
 +44 (0)1246 455522

ondrives

sales@ondrives.com
www.ondrives.com

Product information updated May 2017 and subject to change. Please click the product links for prices and availability.